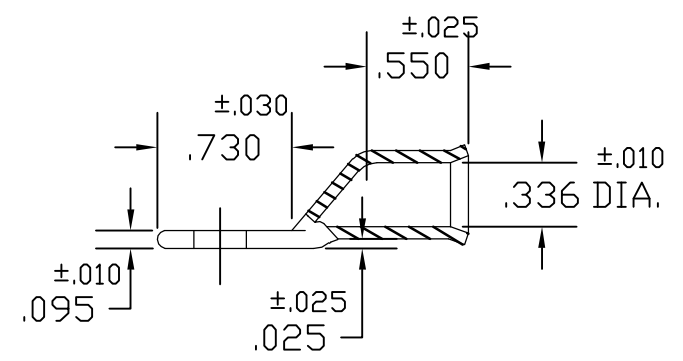
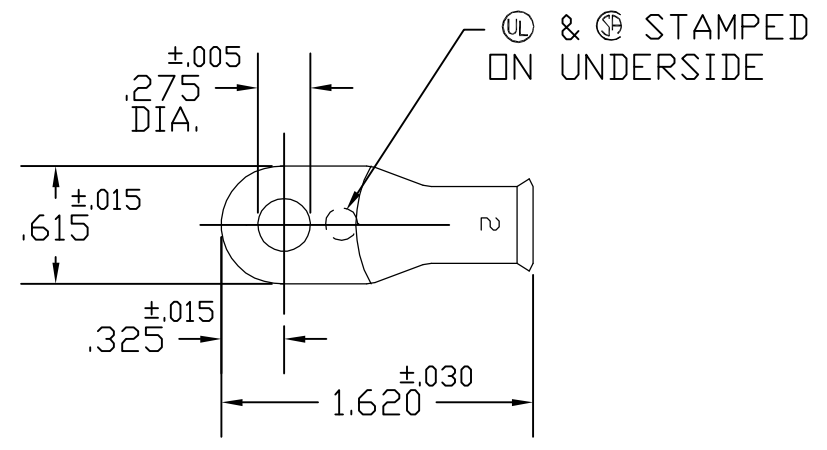


THIS DRAWING IS UNPUBLISHED. RELEASED FOR PUBLICATION
 © COPYRIGHT BY TYCO ELECTRONICS CORPORATION. ALL RIGHTS RESERVED.

| LOC | DIST | REVISIONS | | | | | |
|-----|------|-----------|-----|---------------------------|---------|-----|------|
| | | P | LTR | DESCRIPTION | DATE | DWN | APVD |
| G | 50 | | B1 | REVISED PER ECR-06-010006 | 02MAY06 | HMR | JR |



| | | | | |
|--------|-----------|------------|-----------|-------------|
| ACTIVE | 2141-00-D | SMALL PACK | PLAIN | 8-1526290-1 |
| ACTIVE | 2141-01 | STANDARD | TIN PLATE | 1526290-2 |
| ACTIVE | 2141-00 | STANDARD | PLAIN | 1526290-1 |
| STATUS | AET P/N | PACKAGING | FINISH | PART NUMBER |

| | | | | | |
|---|--|------------------|----------|---|---------------|
| THIS DRAWING IS A CONTROLLED DOCUMENT. | | DWN D.A.A | 10/13/00 | Tyco Electronics Corporation Harrisburg, PA 17105-3608 | |
| DIMENSIONS: INCHES | | CHK H.D.F | 10/13/00 | | |
| TOLERANCES UNLESS OTHERWISE SPECIFIED: | | APVD H.D.F | 10/13/00 | NAME | |
| 0 PLC ± - 1 PLC ± - 2 PLC ± - 3 PLC ± - 4 PLC ± - ANGLES ± - | | PRODUCT SPEC | | 2 STANDARD TERMINAL | |
| MATERIAL COPPER ASTM B-152 | | FINISH | | SIZE | RESTRICTED TO |
| | | WEIGHT | | A3 | |
| | | CUSTOMER DRAWING | | CAGE CODE | DRAWING NO |
| | | | | 00779 | 1526290 |
| | | | | SCALE | SHEET |
| | | | | 1:1 | 1 OF 1 |
| | | | | REV | B1 |